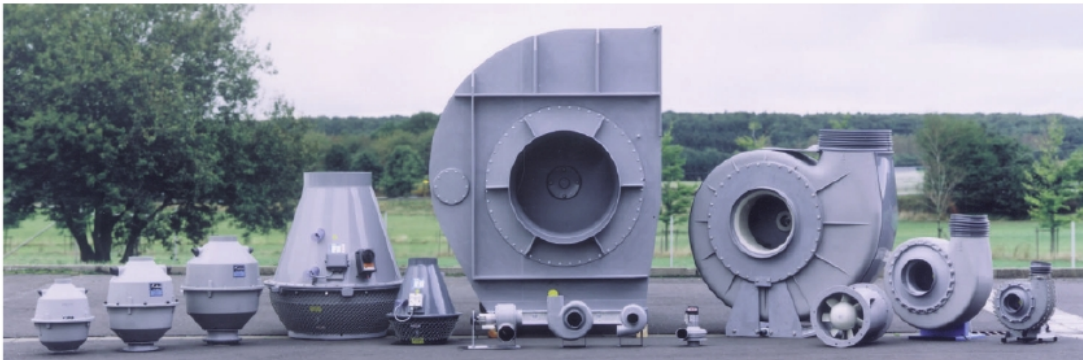


Kunststoff- Ventilatoren



**Ihr starker Partner, wenn es um
Kompetenz in Kunststoff geht !**





Ventilation system components - worldwide



Dachradial-ventilator

Radialventilatoren mit einem Ansaugdurchmesser von 1400 mm



Labor-ventilatoren

Wirbelwäscher



HOECHST BOEHRINGER BASF
 MERCK BAYER DASA LIBRA
 PHARM SIEMENS HITACHI AEG
 FRAUNHOFER DETEWE HERAEUS
 DEGUSSA NATTERMANN BYK
 GULDEN IBM SANOL SCHWARZ
 D DYNAMIT NOBEL JENXON
 TTERMANN KOPPERN WACKER
 NITSU SOLVAY AKZO KREBS
 HERING BUSS RWE SCA TEMIC
 PERTHAL BOSCH LABORMED
 ETHER ANDRITZ ROLL KHS
 AFTANLAGEN KKW GOEDECKE
 SCHWEIZER DR.STARK MAINGAS
 SCHLESWAG THÜGA SAG GASAG
 HOLZMANN GLYNWED WIDOS
 SIMONA RHONE POULENC GSB
 PTB PEROXID THYSSEN KRONOS
 AN SANDBERG FLOURCHEMIE
 SENBERG MAFF JANSSEN
 RBO LUFTECHNIK OE DESIGN
 EMINOVA HOESCH JÜRGENS
 EUSSAG RUHRZINK DAIMLER
 NZ BENTELER GASVERBAND
 EINGAU ALCAN STADTWERKE
 NEUSS BERLINER GAS PHILIPS
 STADTWERKE MAINZ DUPONT
 KALI LURGI UHDE ITT NOKIA
 BERLINER WASSER HAMBURGER
 GAS PREUSSAG WASSER ABB
 SOCREMATIC MTU INTERMETALL



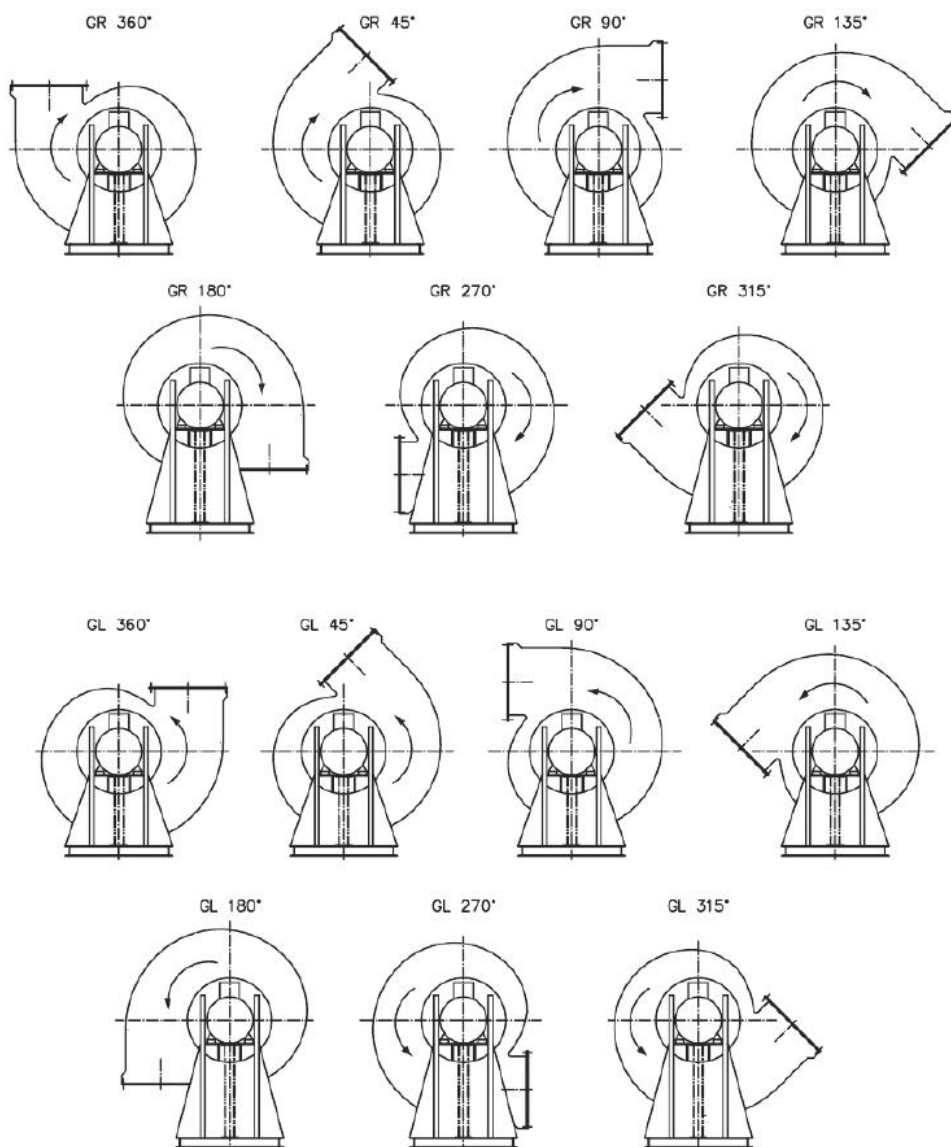
Outlet positions



VHF 5801-4

Outlet positions (The outlet position is dependence on the fan type)

Outlet positions as seen from the drive side



Dimensions in mm
Subject to change of dimensions and construction

0.2.1

Edition: 01/03/05



Material Data

HF-fans are suitable for delivering aggressive, aerosol-poor and clean air. Explosive atmosphere can only be delivered with HF-fans specially designed for this purpose. The permissible gas temperatures for plastics most frequently used in our fans are generally:

for PVC :	0 °C	up to	50 °C;
for PE, PE FR (PEs)	- 20 °C	up to	60 °C;
for PP, PP FR (PPs):	0 °C	up to	70 °C;
and for PVDF, GRP, CRP:	- 10 °C	up to	100 °C;

These temperature ranges must be reviewed and if necessary limited depending on the gas composition and impeller's rotational speed.

In case of exceptionally aggressive media, the reduction must be reviewed and determined from case to case.

In a concrete case of use our data sheets contain information about mechanical and thermal limits!

Other applications or design changes must be implemented in consultation with the manufacturer.

Rough assessment of chemical resistance can be made according to the following instructions:

Material	Resistant to	Not resistant to:
PVC, PVDF	acids, alkaline solution, alcohol, aliphatic hydrocarbons, mineral and plant oil extracts	aromatic and chlorinated hydrocarbons, ester and ketone
PP, PP FR (PPs) and PE, PE FR (PEs)	acids, alkaline solution, salt solutions, oil and diluted solvents	Oxidizing acids and halogens
GRP, CRP	diluted acids, diluted alkaline solution, alcohol, benzene, petrol, oil and solvents	Concentrated acids, concentrated alkaline solution, ammonia, acetone, ester and ketone

Accurate information about the resistance of the materials used can be derived from the lists of chemical resistance given by material manufacturers. In case of critical media, your inquiry is certainly needed in written form with a description of the operating conditions.





Legend of abbreviations:

PP	= polypropylene
PP-FR PPs	= polypropylene flame-retardant to DIN 4102 B1
PE	= polyethylene
PE-FR (PEs)	= polyethylene flame-retardant to DIN 4102 B1 and electrically conducting
PVC	= polyvinyl chloride
PVDF	= polyvinylidene fluoride
GfK	= glass fibre reinforced plastic
CfK	= carbon fibre reinforced plastic
...-el	= electrically conducting thermoplastics with a surface resistance $<10^9$ Ohm to DIN EN 13463-1

General notes :

The specified sound levels of all HF fans are valid for the defined standard conditions and can vary from the catalogue specifications in case of difficult mounting situations.

The weight specifications of all HF fans are average values (inclusive of standard motors).

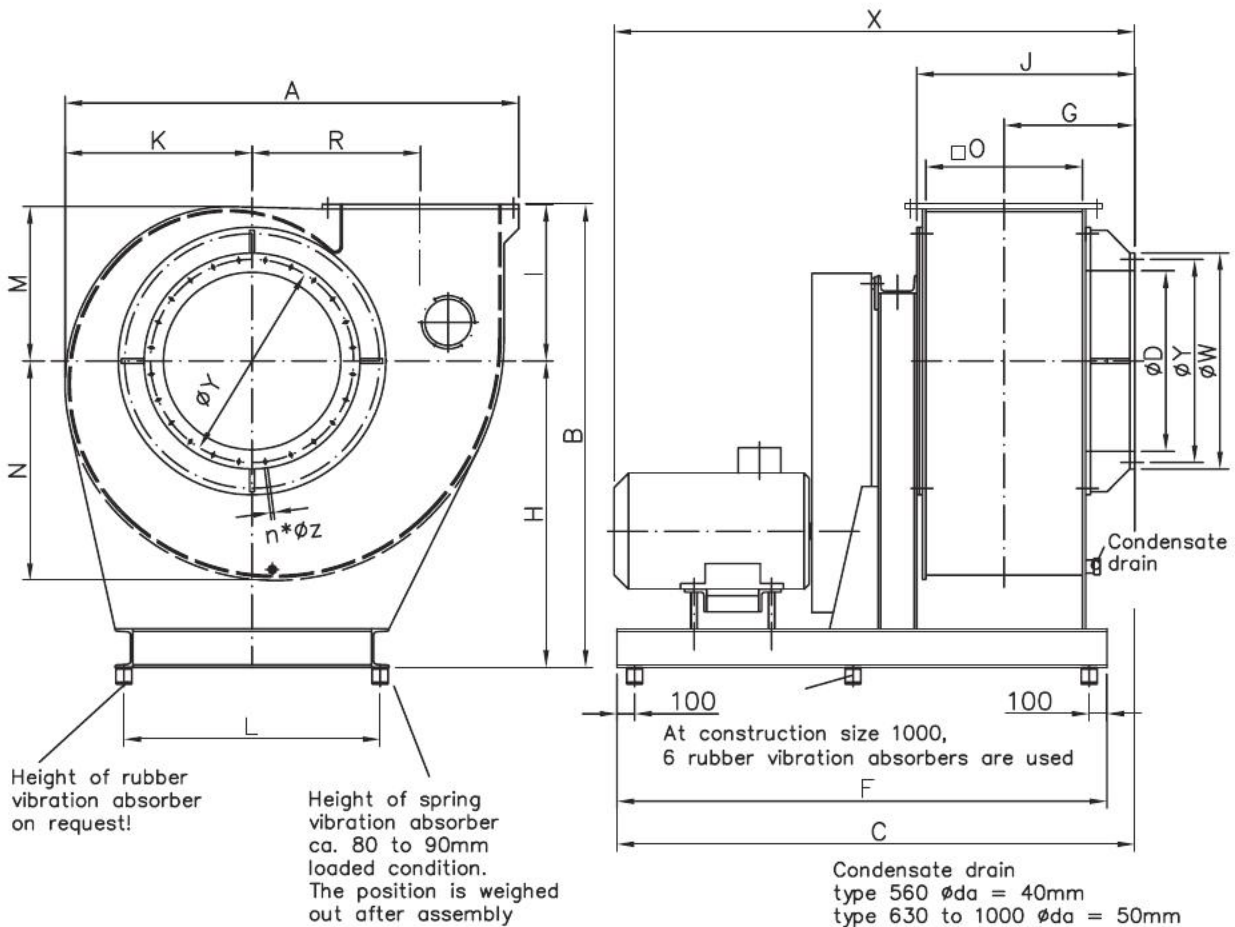


Type HF R - 13 RF

Pressure Rating DS 3

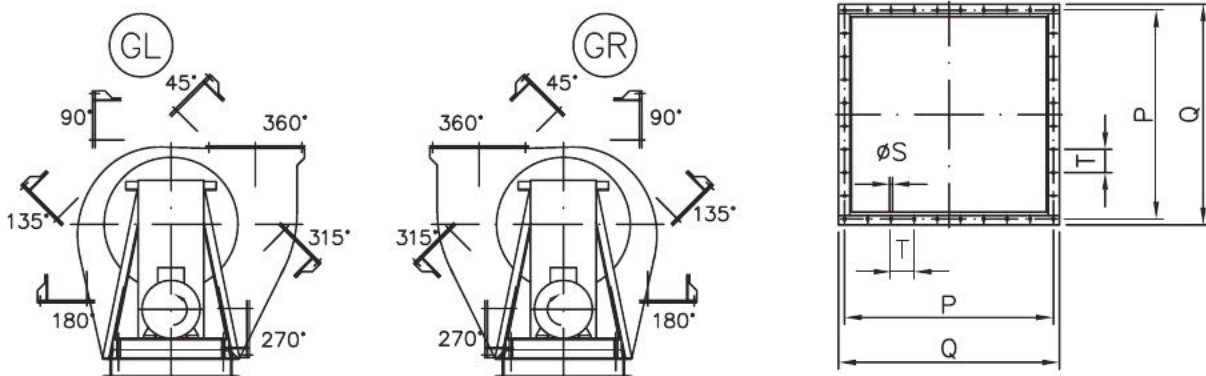


VHF 5213-4



Outlet

V = number of boreholes



Outlet positions as seen from the drive side (s. page 0.2.1).

Dimensions in mm
Subject to change of dimensions and construction



