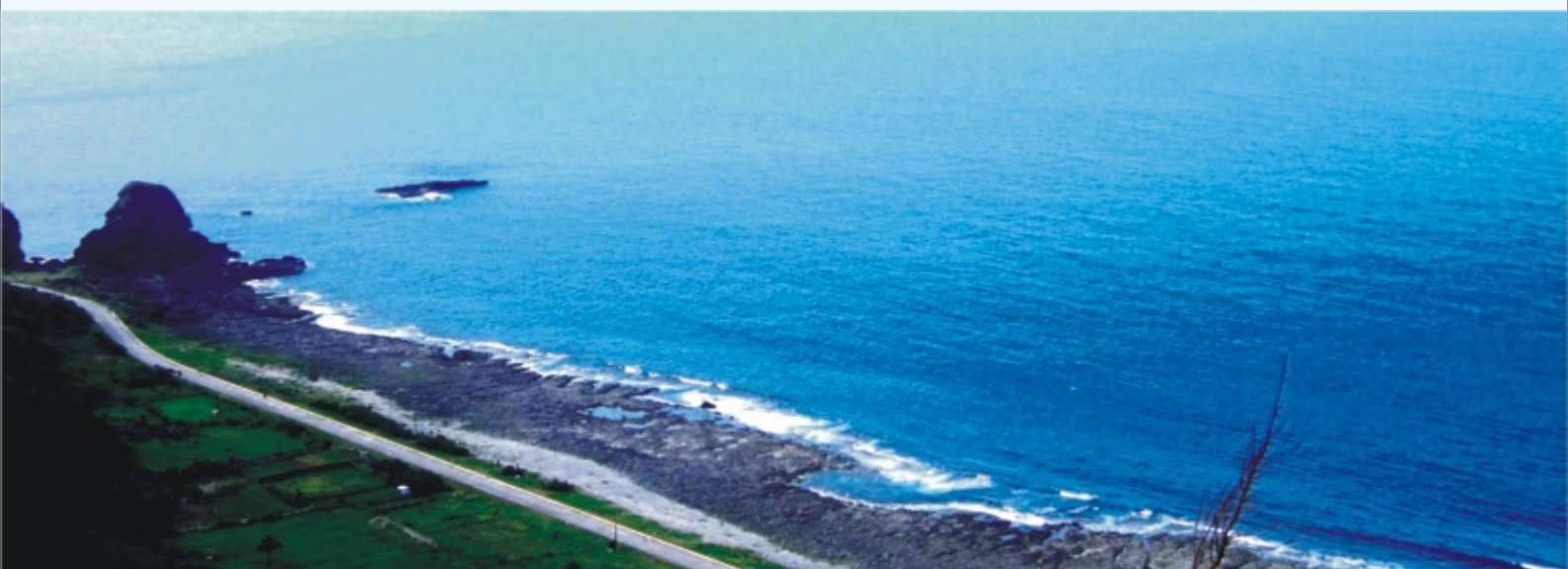


KCC 密閉式冷卻塔



ISO-9001
2000 VERSION



KS COOLING TOWER

金日冷卻塔

高效率 HIGH PERFORMANCE
低結垢 LOW SCALE FORMATION
節能 ENERGY CONSERVATION



MEMBER OF THE CTI



金日實業股份有限公司
KING SUN INDUSTRY CO., LTD.

KCC 密閉式冷卻塔

COUNTERFLOW -CLOSED CIRCUIT COOLING TOWER

使用密閉式冷卻塔優點 >>>

Advantage of closed circuit cooling tower

促進冷卻效能

Increases cooling performance

密閉式管排設計，有效解決結垢影響熱傳導問題，穩定冷卻效能。

Closed copper tube design. Effectively resolve thermal conductivity problem caused from scale formation to stabilize cooling performance.

提高生產效率

Increases manufacturing efficiency

潔淨的冷卻水使生產設備不需特別停機維護，減少停機損失。

No equipment closed time is required because of clean cooling water, so the loss of equipment down time is minimized.

降低管理維護成本

Reduce management & maintenance cost

不需維護所有生產設備之熱交換器，僅就冷卻塔部份進行清潔即可，集中管理方式可減少維護成本。

No need to maintain heat interchanger of all manufacturing equipments. Only need to care the cooling tower cleaning. A remarkable amount of maintenance costs are saved.

節省能源費用

Energy cost saving

利用大氣自然散熱，減少冰水機用量，節省電費。

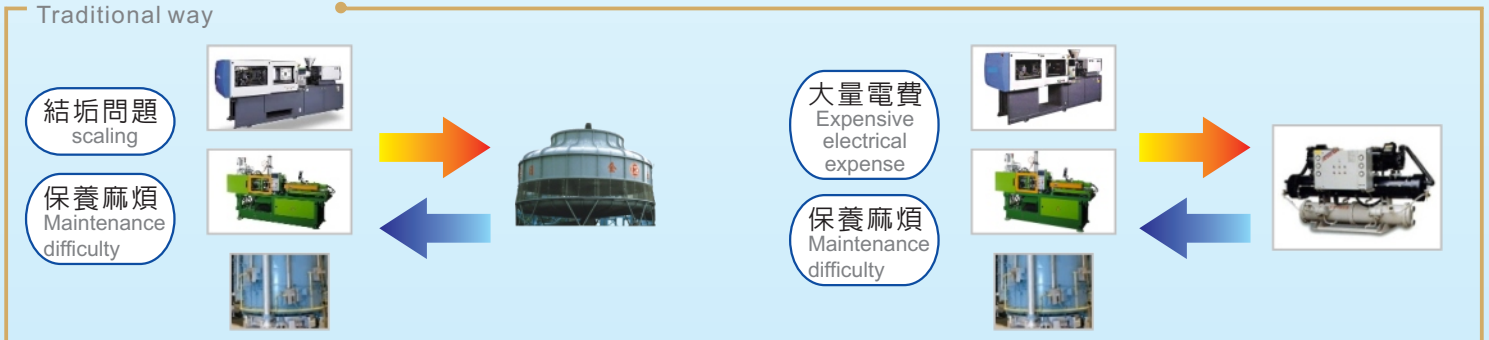
Utilize the natural thermal dissipation by atmosphere to minimize the operation of chiller and save power costs.

配置示意圖 >>>

The installment comparison

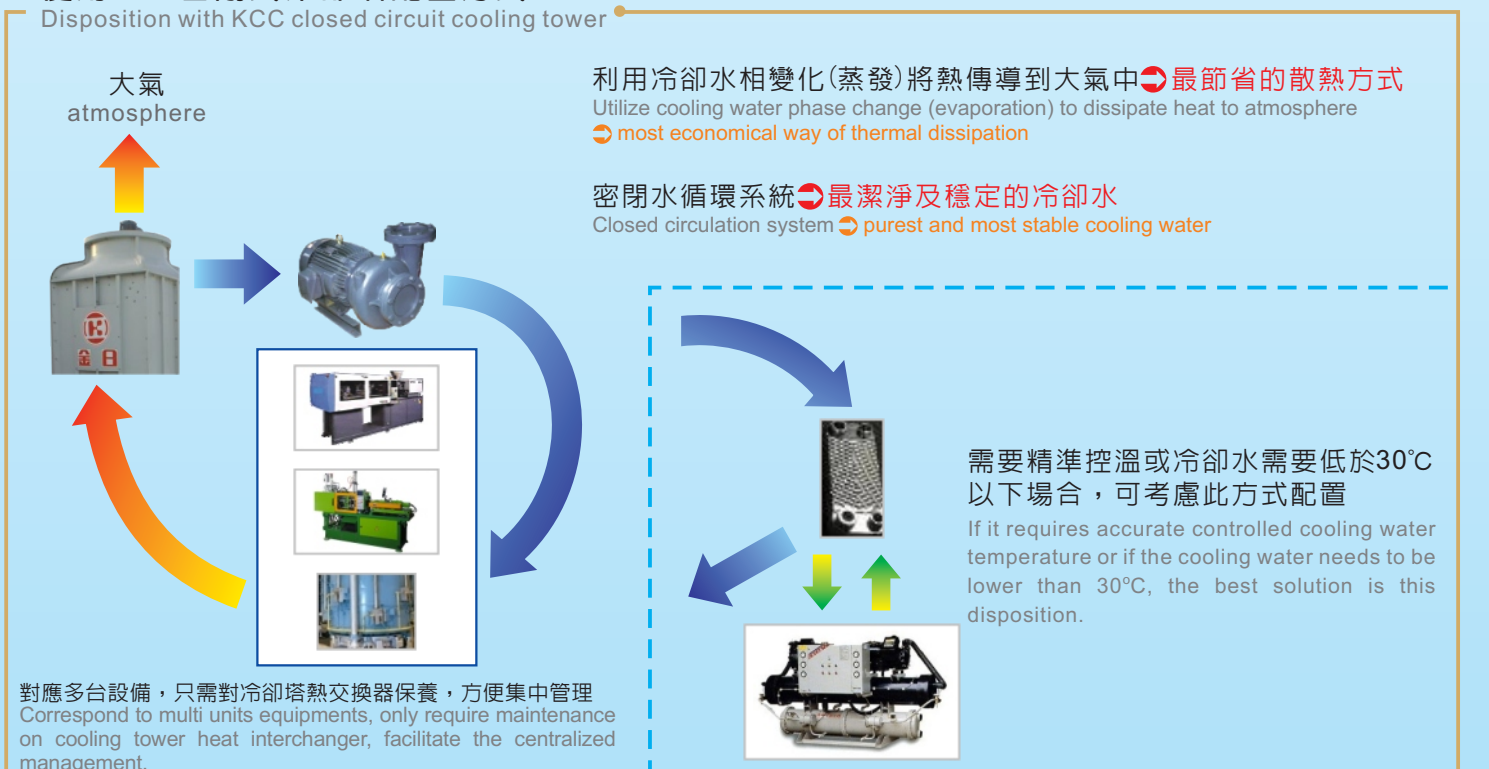
傳統配置方式 >>>

Traditional way



使用KCC密閉式冷卻塔配置方式 >>>

Disposition with KCC closed circuit cooling tower



KCC 密閉式冷卻塔

COUNTERFLOW -CLOSED CIRCUIT COOLING TOWER

● 適用領域 >>>

Suits the following industries

冷凍、空調、空壓機、射出機、擠出機、雷射切割機、精密機械、印刷機、高週波、熱處理、鑄機、鍛造機、發電機、變電站、熱煤油處理、熱回收、化工製程、陶瓷燒結、粉末冶金…各種生產機具冷卻散熱

King Sun KCC closed circuit cooling towers are most suitable for the cooling of following manufacturing industries: Refrigeration, air conditioning, air compressor, plastics injection, extruding, laser cutter, precision machinery, printer, high frequency, heat treatment, casting machinery, forging machinery, generator, power substation, hot petroleum processing, heat recovery, chemical engineering procession, ceramic agglutination, powder metallurgy.....etc.

● 金日KCC密閉式冷卻塔獨特的優點 >>>

The unique advantage of KING SUN KCC closed circuit cooling tower

A

獨特專利螺紋管設計，耐壓高、自潔功能佳，減少管排外部結垢

The patented threaded tube design is with high pressure resistance, self-cleaning function and could get rid of scale formation outside of the tubes.

B

玻璃纖維外殼耐蝕、耐候性最佳，使用壽命長

F.R.P casing is with best weathering resistance and longest service life.

C

超過30年專業冷卻塔公司設計、製造，保證性能符合需求

Over 30 years experiences specialized in cooling tower design and manufacturing assures the performance meets the requirement.

D

全國服務據點多，服務快速

Service stations island-wide that assures quick and excellent service.

E

提供特殊需求、規劃設計服務

Provide scheming and design services for special requirements.

● 銷售實績>>>

大中鋼鐵、陸力鋼鐵、永進機械、愛之味、宏全國際、春保錫鋼、邦昌金屬、呈聯金屬、台塑勝高科技、勝華科技、元隆電子、綠點高新、普泉公司、均賀科技…等，深獲好評。

● 實績照片>>>

Job references



台塑勝高
FORMOSA SUMCO TECHNOLOGY
CORPORATION



勝華科技
WINTEK CORPORATION



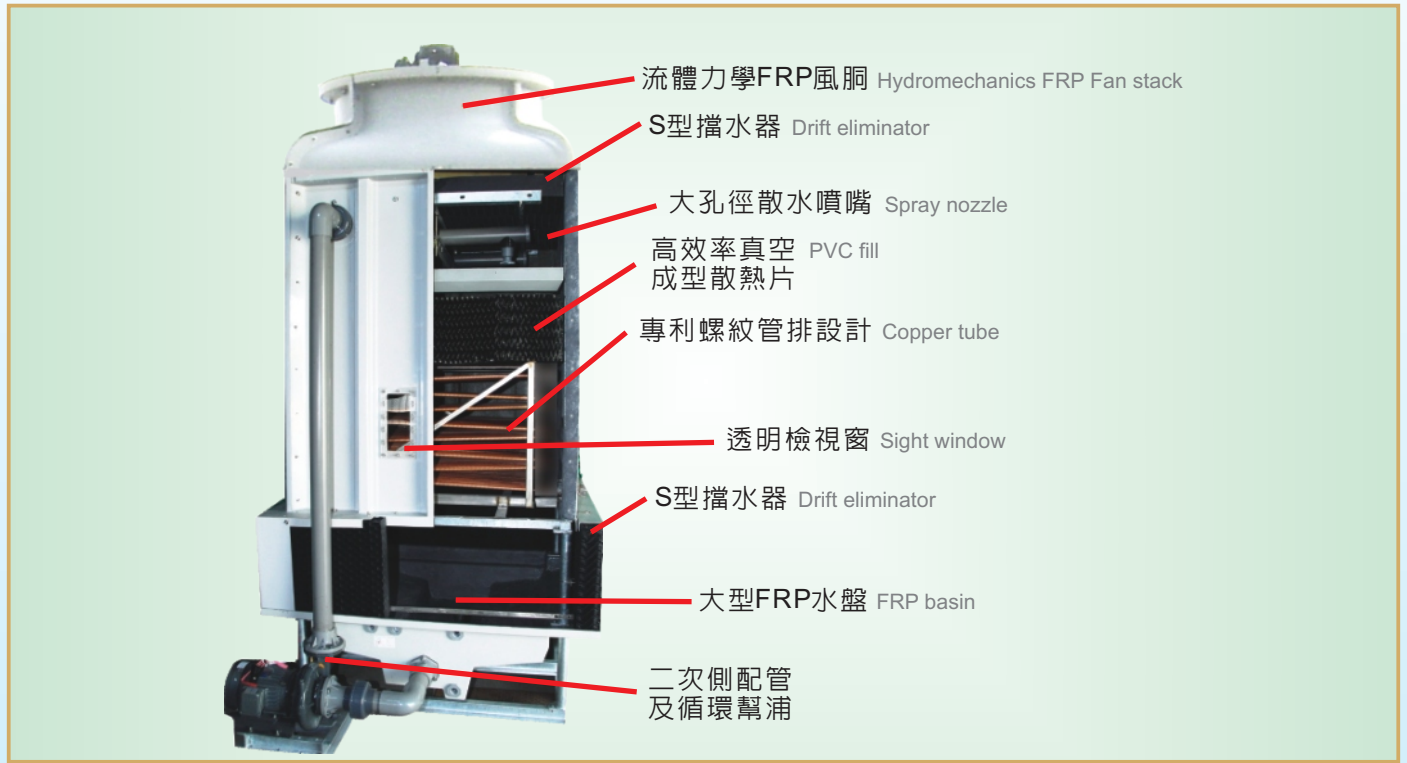
日本積水塑膠
SEKISUI PLASTICS CO., LTD.

KCC 密閉式冷卻塔

COUNTERFLOW -CLOSED CIRCUIT COOLING TOWER

剖面圖及標示 >>>

Cross-sectional view



材質說明 >>>

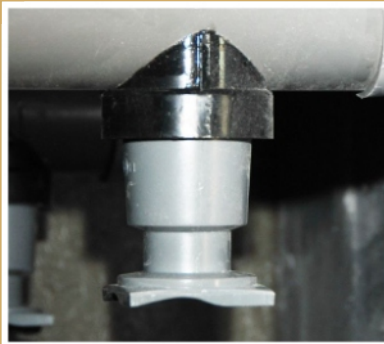
Parts characteristic



銅管排 Copper tube bundle

特殊專利設計，耐壓高、耐腐蝕、具自潔性、防凍裂

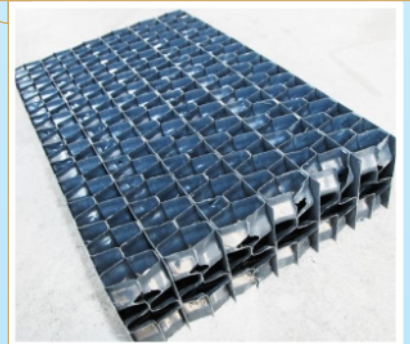
The special patent design is with high pressure resistance, anti- corrosion, self-clean and anti- cracks functions.



噴嘴 Spray nozzle

累積多年專業設計，噴嘴孔徑大不阻塞、散佈均勻

Over 20 years' specialty on cooling tower design makes the nozzles clog free and assures even water spray.



擋水器 Drift eliminator

高強度花紋設計，耐強風、防日照、阻隔外界污染物進入

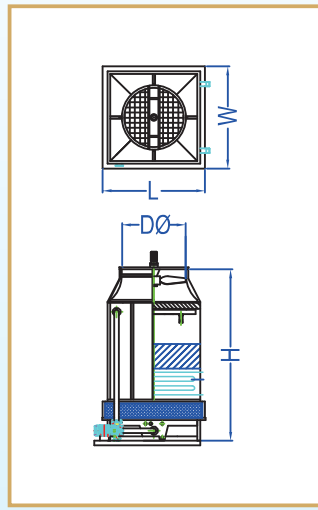
The high strength corrugated pattern design resists strong wind blow and sunshine also stops foreign debris entering the tower.

KCC 密閉式冷卻塔

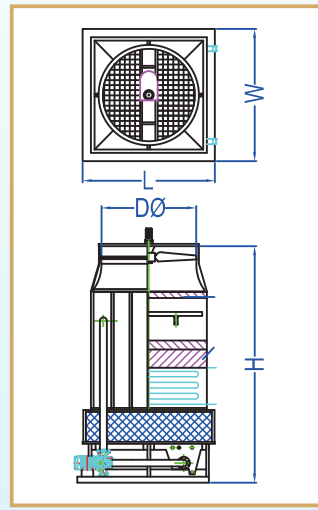
COUNTERFLOW -CLOSED CIRCUIT COOLING TOWER

外型尺寸及標準規格 >>>

Dimension & Specification



KCC-20-40RT



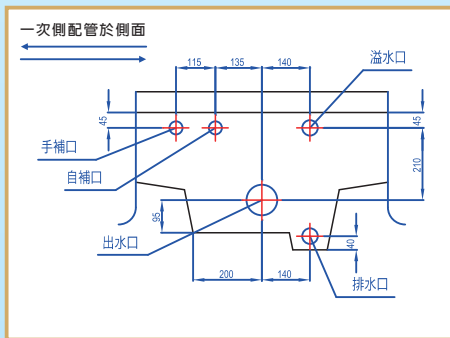
KCC-50-70RT

型號 MODEL	熱負荷 THERMAL DUTY		外型尺寸 DIMENSION(m/m)			馬達 MOTOR	風車 FAN	抽水機 Pump	揚程 Head	重量 Weight	
	冷卻能力 Kcal/h	循環水量 Water flow l/min	L	W	H	HP	DØ(mm)	HP	m	自重 DRY WEIGHT(Kg)	運轉重 OPERATING WEIGHT(Kg)
KCC-20	78000	260	1580	1580	3075	1	Ø700	2	9	300	1070
KCC-30	117000	390	1580	1580	3075	2	Ø900	2	9	320	1110
KCC-40	156000	520	1580	1580	3075	2	Ø900	2	9	350	1190
KCC-50	195000	650	2225	2225	3980	2	Ø1500	3	10	590	2440
KCC-60	234000	780	2225	2225	3980	2	Ø1500	3	10	640	2490
KCC-70	273000	910	2225	2225	3980	3	Ø1500	3	10	680	2530

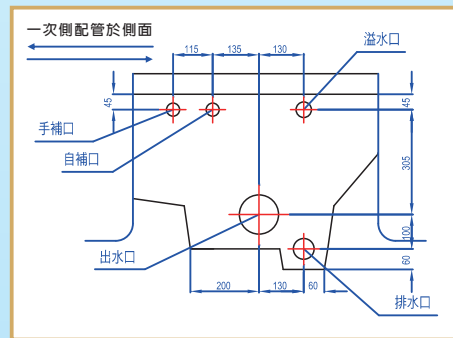
若有更大性能需求，本公司另有橫流式密閉冷卻塔可供選擇，本公司亦提供特殊需求設計製造，請洽各地營業人員。

配管規格尺寸 >>>

Specification of Pipe Connection



KCC-20-40RT



KCC-50-70RT

型號	自補 AUTOMATIC	手補 QUICK	溢水 OVER FLOW	排水 DRAIN	一次側入水管 PRIMARY INLET	一次側出水管 PRIMARY OUTLET
KCC-20	3/4" *1	3/4" *1	1" *1	1" *1	2" *1	2" *1
KCC-30	3/4" *1	3/4" *1	1" *1	1" *1	2" *1	2" *1
KCC-40	3/4" *1	3/4" *1	1" *1	1" *1	2 1/2" *1	2 1/2" *1
KCC-50	3/4" *1	3/4" *1	1" *1	1 1/2" *1	3" *1	3" *1
KCC-60	3/4" *1	3/4" *1	1" *1	1 1/2" *1	3" *1	3" *1
KCC-70	3/4" *1	3/4" *1	1" *1	1 1/2" *1	3" *1	3" *1

金日提供完整的冷卻塔系列產品及週邊設備材料



● KFT逆流式方型冷卻塔



● KCR RC結構工業塔



● KLN圓型低噪音型冷卻塔



● KSB吹壓式環保冷卻塔



● KHC密閉式冷卻塔



● XF砂濾器



● 溝槽式機械接頭及另配件



● 日本MIE GRIP壓著接頭及另配件



● 日本進口三菱FRP組合式水箱



● RB雙吸後傾式離心風機



● SB雙吸多翼離心式風機



● HSJ離心式噴流送風機



金日實業股份有限公司
KING SUN INDUSTRY CO., LTD.